



Value Chain
Partnerships

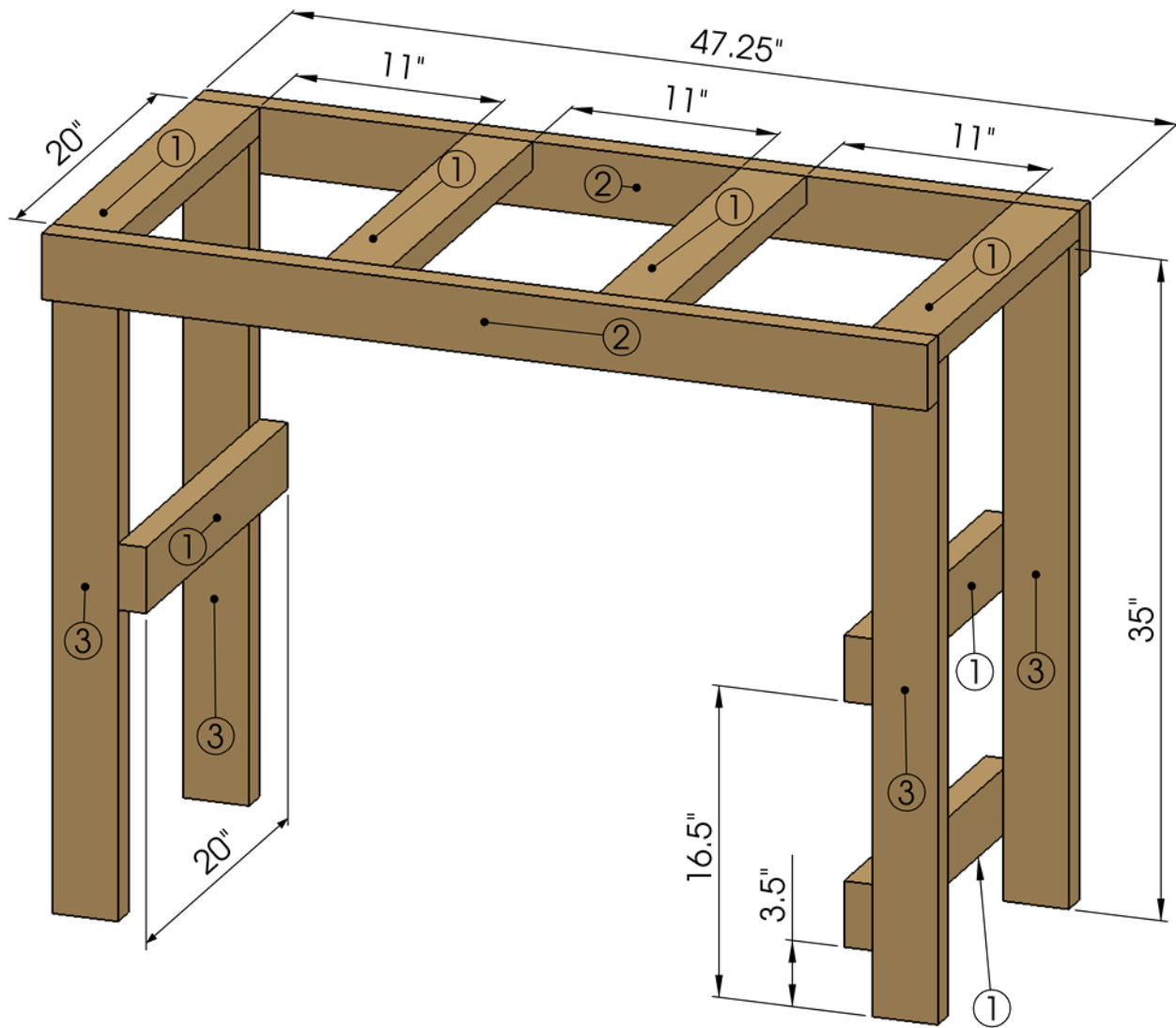


LEOPOLD CENTER

Two Vegetable Wash Station Designs, June 2011, a project of the Fruit and Vegetable Working Group of the Value Chain Partnerships project and the Leopold Center for Sustainable Agriculture.

An Iowa-Based Network for Food
and Agriculture Working Groups

| ITEM NO. | PART NUMBER | QTY. |
|----------|-------------|------|
| 1 | 2x4-20" | 6 |
| 2 | 2x4-47.25" | 2 |
| 3 | 2x4-35" | 4 |



| ITEM NO. | PART NUMBER | QTY. |
|----------|-------------|------|
| 1 | 2x4-20" | 7 |
| 2 | 2x4-47.25" | 2 |
| 3 | 2x4-35" | 4 |

One Step at a Time Gardens

Design By:
Drew Landgraf, GenX7 Design
(drew.landgraf@gmail.com)

TITLE:

Model

Design No.

Drying Rack

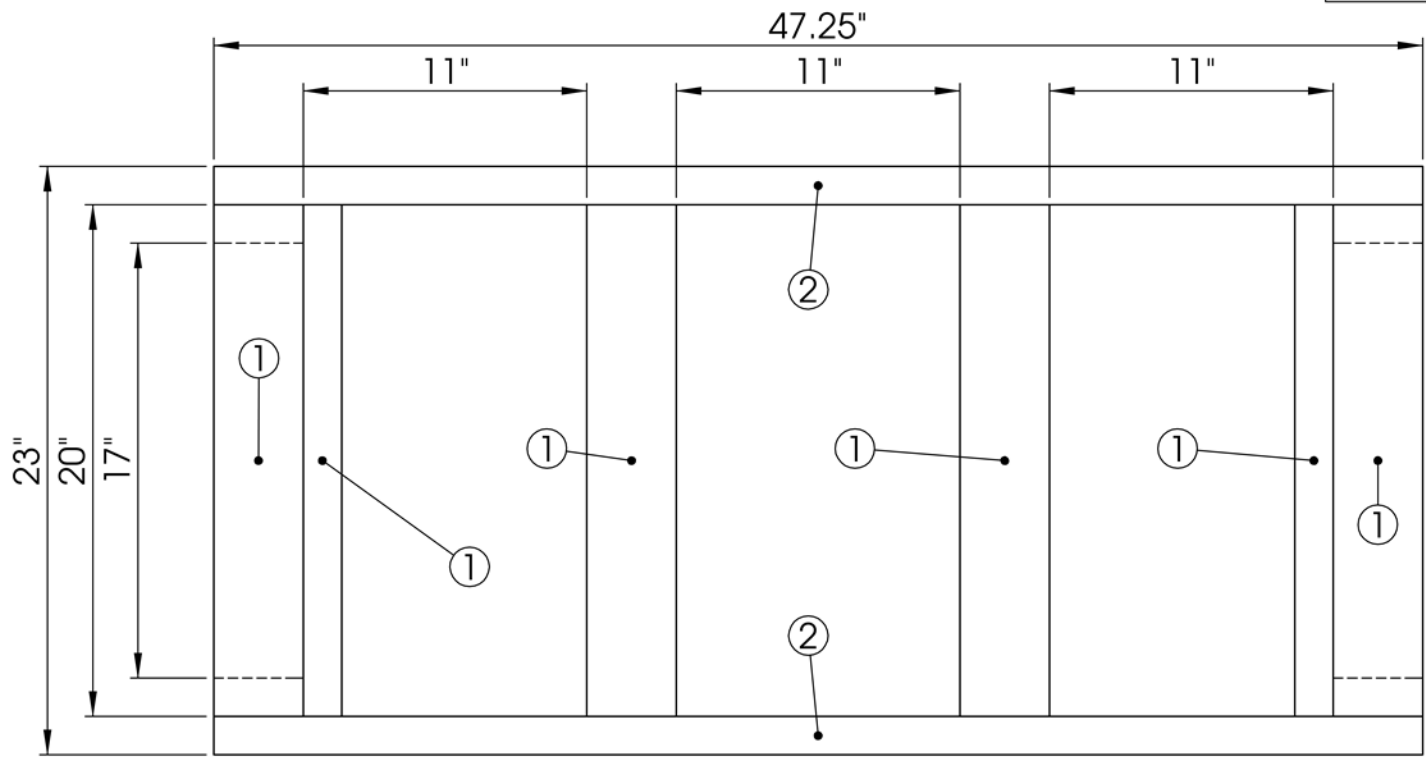
COMMENTS:
DIMENSIONS ARE IN INCHES

DATE: March 2011

SCALE: 1:9

SHEET 1 OF 4

| ITEM NO. | PART NUMBER | QTY. |
|----------|-------------|------|
| 1 | 2x4-20" | 7 |
| 2 | 2x4-47.25" | 2 |
| 3 | 2x4-35" | 4 |



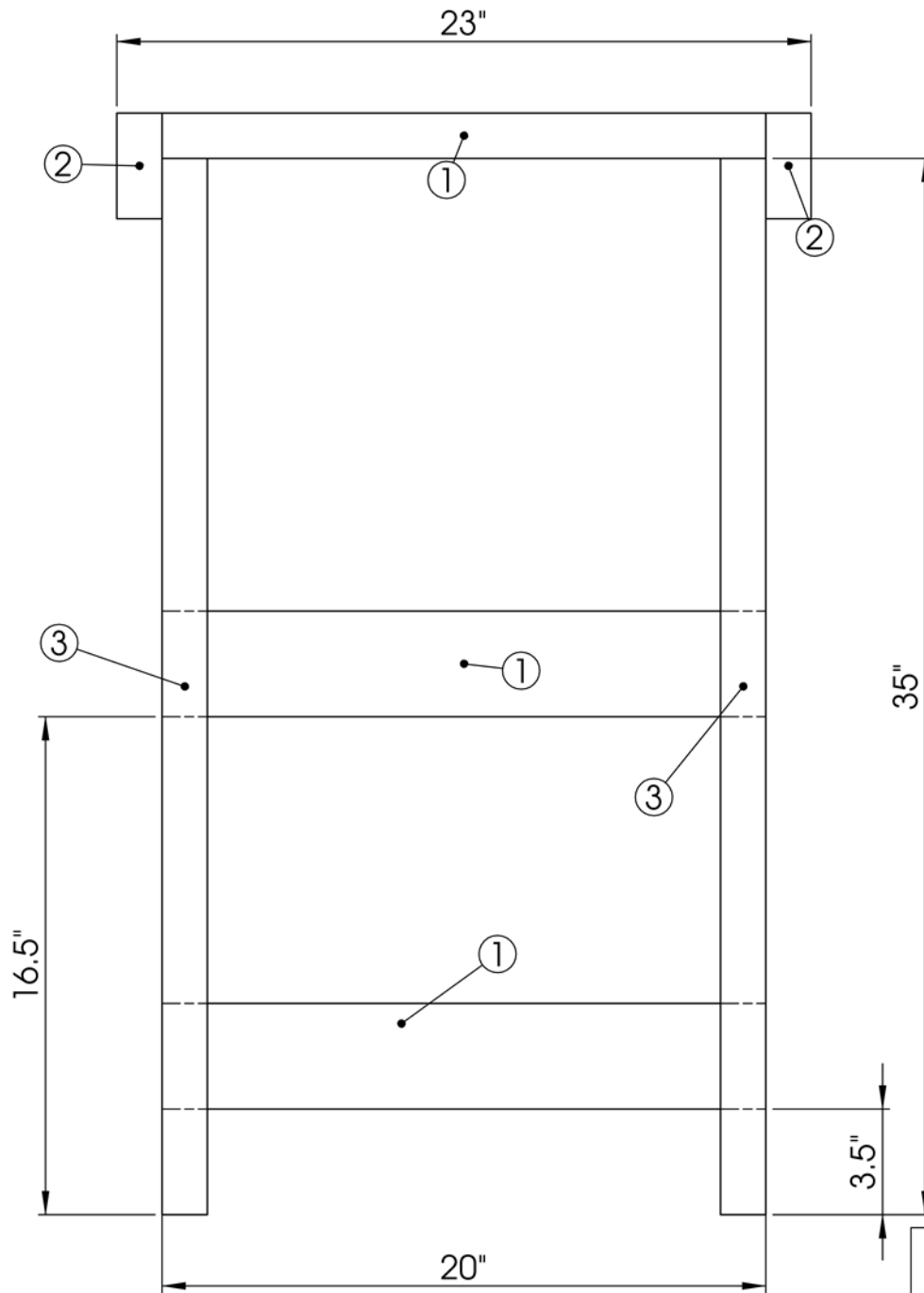
One Step at a Time Gardens

Design By:
Drew Landgraf, GenX7 Design
(drew.landgraf@gmail.com)

TITLE:
Top View

Design No.
Drying Rack

| | |
|--|--------------|
| COMMENTS: DIMENSIONS ARE IN INCHES | |
| DATE: | March 2011 |
| SCALE: 1:7.5 | SHEET 2 OF 4 |

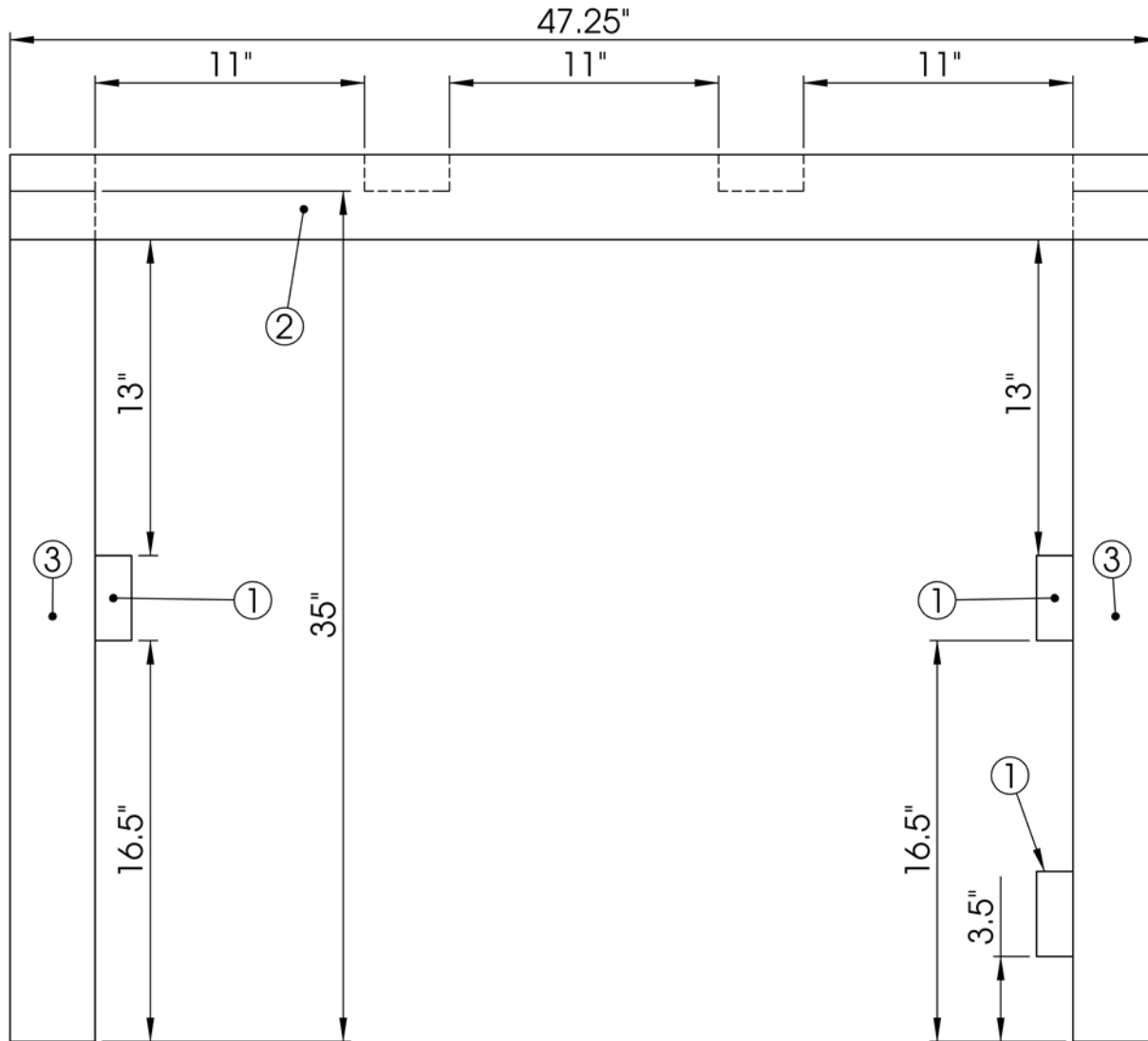


| ITEM NO. | PART NUMBER | QTY. |
|----------|-------------|------|
| 1 | 2x4-20" | 7 |
| 2 | 2x4-47.25" | 2 |
| 3 | 2x4-35" | 4 |

| | |
|--|--------------|
| COMMENTS: DIMENSIONS ARE IN INCHES | |
| DATE: | March 2011 |
| SCALE: 1:6 | SHEET 3 OF 4 |

| | |
|---|--|
| One Step at a Time Gardens | |
| Design By: Drew Landgraf, GenX7 Design (drew.landgraf@gmail.com) | |
| TITLE: End View | |
| Design No. Drying Rack | |

| ITEM NO. | PART NUMBER | QTY. |
|----------|-------------|------|
| 1 | 2x4-20" | 7 |
| 2 | 2x4-47.25" | 2 |
| 3 | 2x4-35" | 4 |



One Step at a Time Gardens

Design By:
Drew Landgraf, GenX7 Design
(drew.landgraf@gmail.com)

TITLE:
Side View

Design No.
Drying Rack

| | |
|--|--------------|
| COMMENTS: DIMENSIONS ARE IN INCHES | |
| DATE: | March 2011 |
| SCALE: 1:7.5 | SHEET 4 OF 4 |