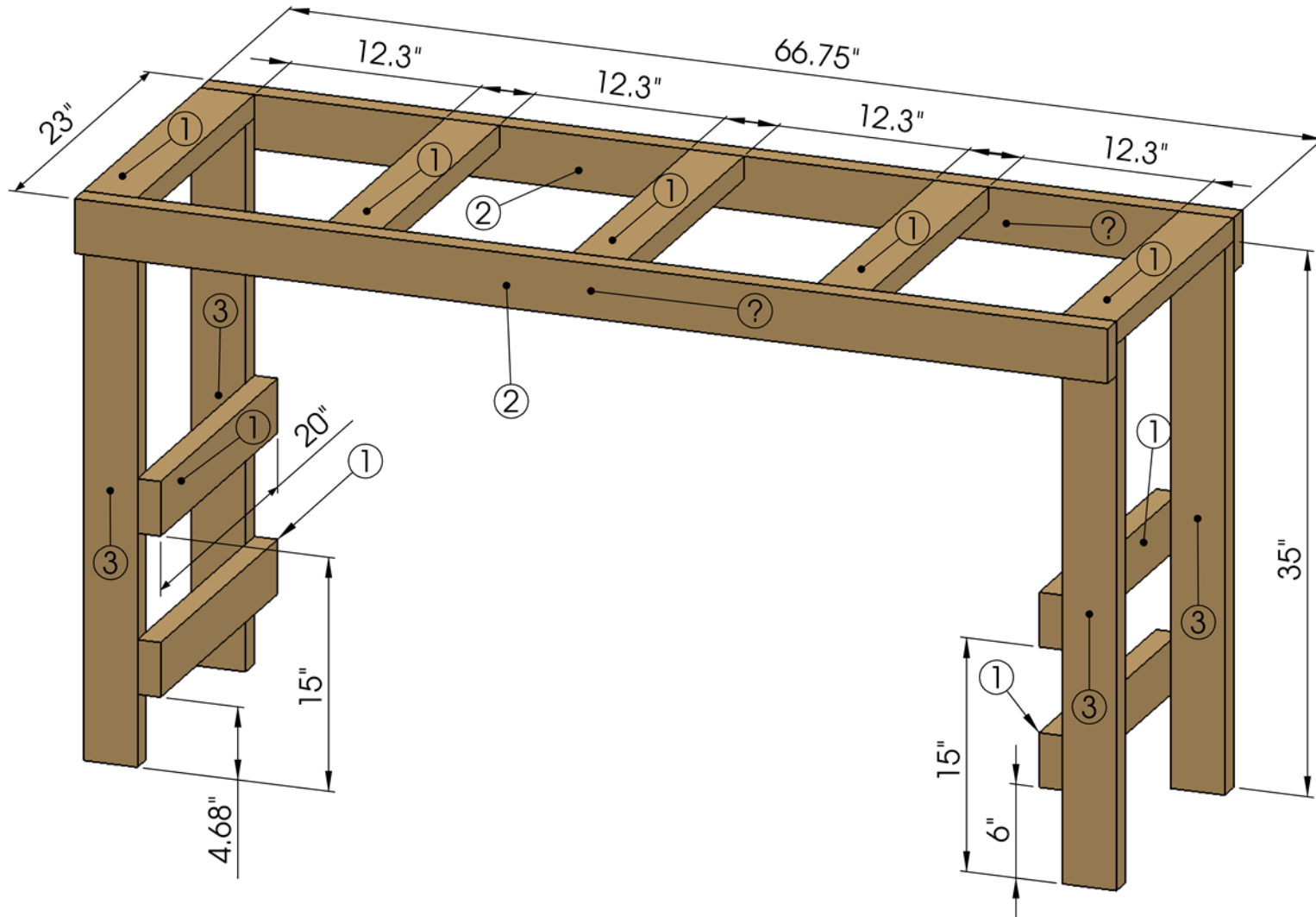


Two Vegetable Wash Station Designs, June 2011, a project of the Fruit and Vegetable Working Group of the Value Chain Partnerships project and the Leopold Center for Sustainable Agriculture.

ITEM NO.	PART NUMBER	QTY.
1	2x4-20"	7
2	2x4-66.75"	2
3	2x4-35"	4

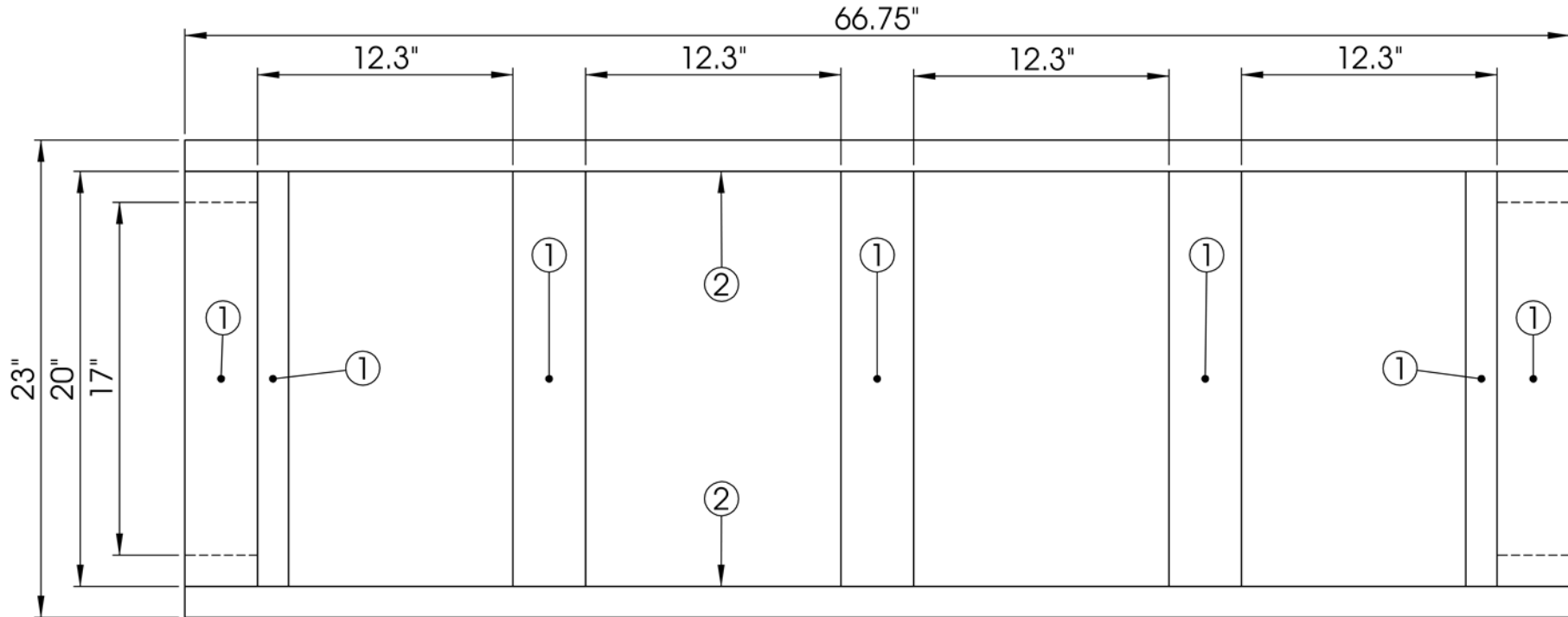


ITEM NO.	PART NUMBER	QTY.
1	2x4-20"	9
2	2x4-66.75"	2
3	2x4-35"	4

<b>COMMENTS:</b> DIMENSIONS ARE IN INCHES	
<b>DATE:</b>	March 2011
SCALE: 1:10	SHEET 1 OF 4

One Step at a Time Gardens	
<b>Design By:</b> Drew Landgraf, GenX7 Design (drew.landgraf@gmail.com)	
TITLE: <h1>Model</h1>	
Design No. <h1>Dry Rack Long</h1>	

ITEM NO.	PART NUMBER	QTY.
1	2x4-20"	9
2	2x4-66.75"	2
3	2x4-35"	4



One Step at a Time Gardens

**Design By:**  
Drew Landgraf, GenX7 Design  
(drew.landgraf@gmail.com)

TITLE:

TopView

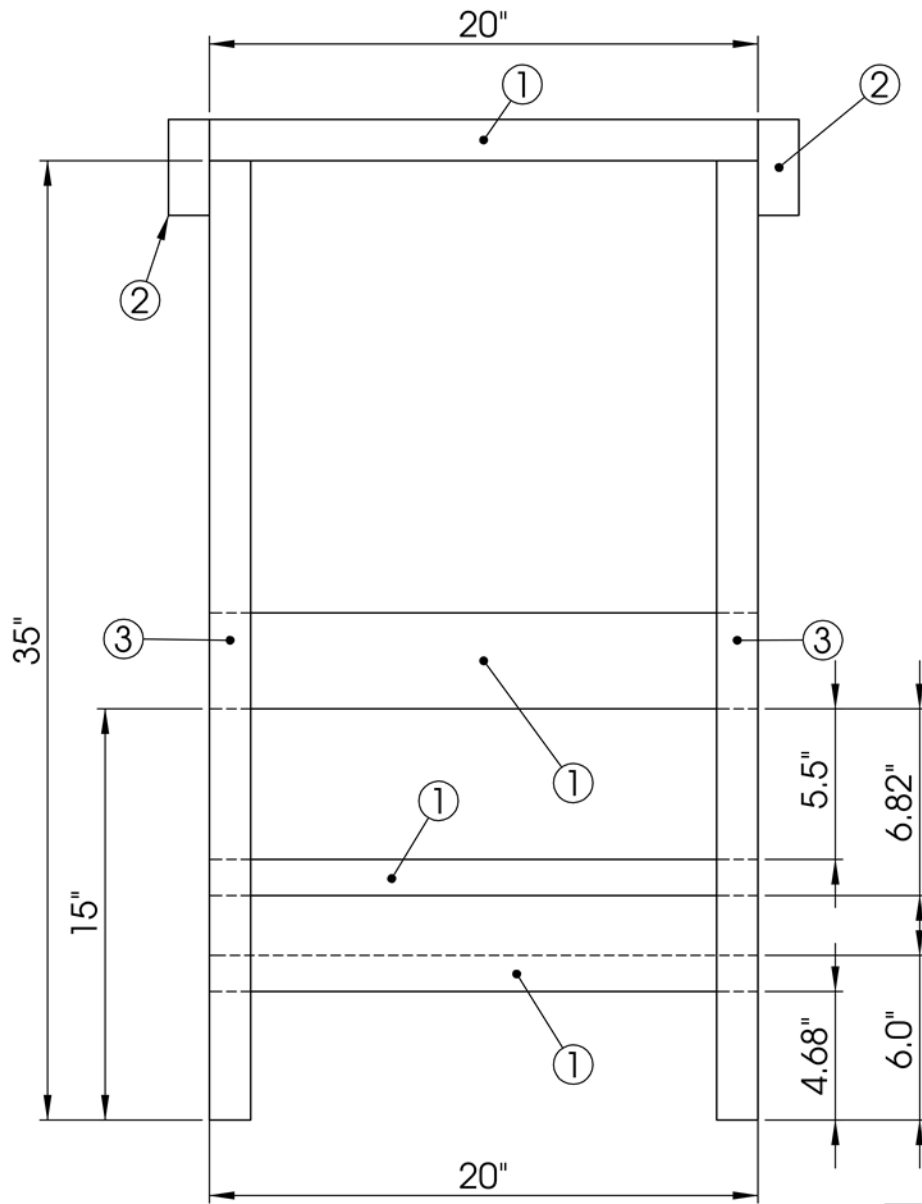
Design No.

Dry Rack Long

**COMMENTS:**  
DIMENSIONS ARE IN INCHES

**DATE:** March 2011

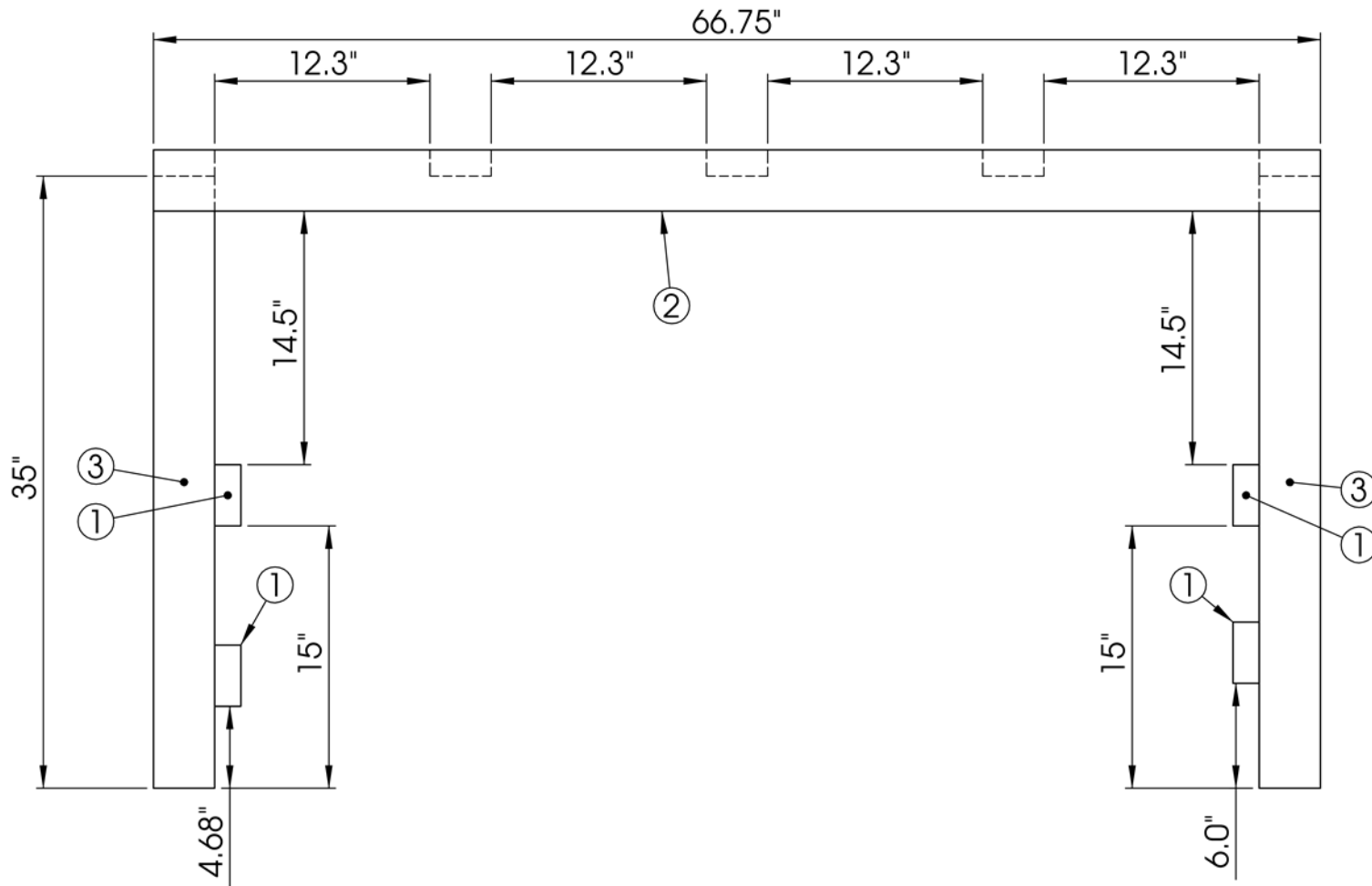
SCALE: 1:8 SHEET 2 OF 4



ITEM NO.	PART NUMBER	QTY.
1	2x4-20"	9
2	2x4-66.75"	2
3	2x4-35"	4

<b>COMMENTS:</b> DIMENSIONS ARE IN INCHES	
<b>DATE:</b>	March 2011
SCALE: 1:7	SHEET 3 OF 4

One Step at a Time Gardens	
<b>Design By:</b> Drew Landgraf, GenX7 Design (drew.landgraf@gmail.com)	
TITLE: <h1>End View</h1>	
Design No. <h1>Dry Rack Long</h1>	



ITEM NO.	PART NUMBER	QTY.
1	2x4-20"	9
2	2x4-66.75"	2
3	2x4-35"	4

<b>COMMENTS:</b> DIMENSIONS ARE IN INCHES	
<b>DATE:</b>	March 2011
SCALE: 1:10	SHEET 4 OF 4

One Step at a Time Gardens

**Design By:**  
Drew Landgraf, GenX7 Design  
(drew.landgraf@gmail.com)

**TITLE:**  
**Side View**

Design No.  
**Dry Rack Long**