



Value Chain
Partnerships



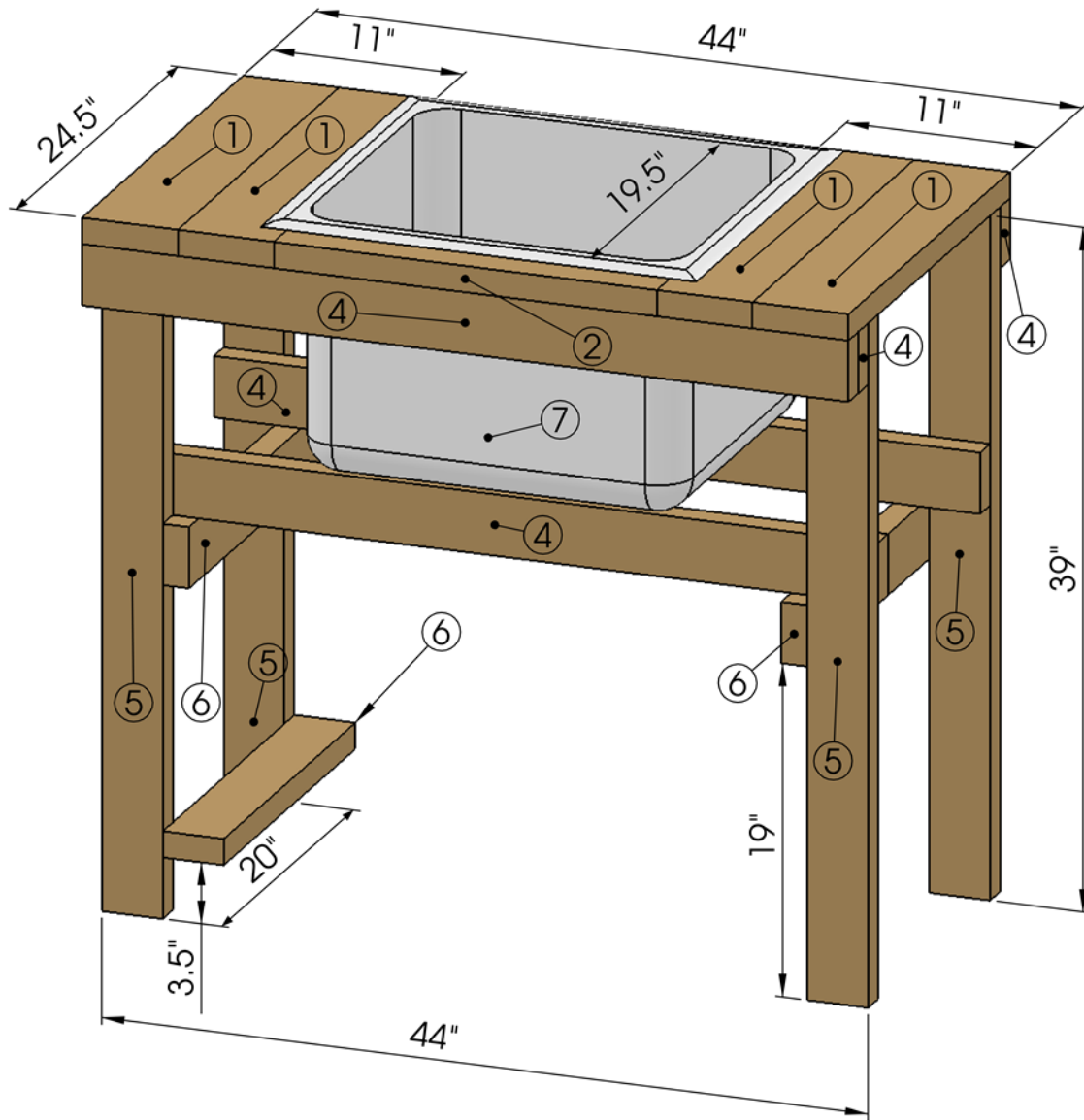
*An Iowa-Based Network for Food
and Agriculture Working Groups*



LEOPOLD CENTER

Two Vegetable Wash Station Designs, June 2011, a project of the Fruit and Vegetable Working Group of the Value Chain Partnerships project and the Leopold Center for Sustainable Agriculture.

ITEM NO.	PART NUMBER	QTY.
1	2x6-24.5"	4
2	2x4-22"	1
3	2x2-22"	1
4	2x4-44"	5
5	2x4-39"	4
6	2x4-20"	2
7	plastic sink	1
8	PVC 1.5"D drain	1



ITEM NO.	PART NUMBER	QTY.
1	2x6-24.5"	4
2	2x4-22"	1
3	2x2-22"	1
4	2x4-44"	5
5	2x4-39"	4
6	2x4-20"	3
7	plastic sink	1

One Step at a Time Gardens

Design By:
Drew Landgraf, GenX7 Design
(drew.landgraf@gmail.com)

TITLE:

Model

Design No.

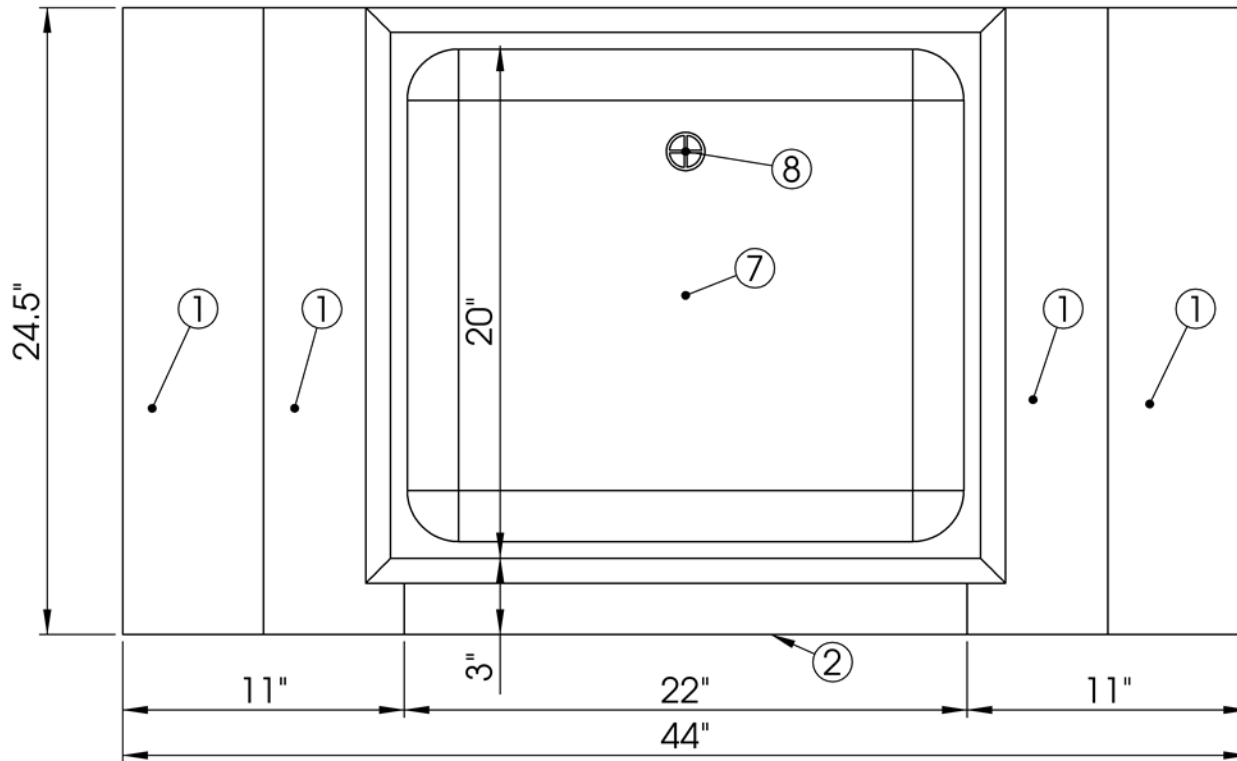
Plastic Sink

COMMENTS:
DIMENSIONS ARE IN INCHES

DATE: March 2011

SCALE: 1:10 SHEET 1 OF 4

ITEM NO.	PART NUMBER	QTY.
1	2x6-24.5"	4
2	2x4-22"	1
7	plastic sink	1
8	PVC 1.5"D drain	1



One Step at a Time Gardens

Design By:
Drew Landgraf, GenX7 Design
(drew.landgraf@gmail.com)

TITLE:

Top View

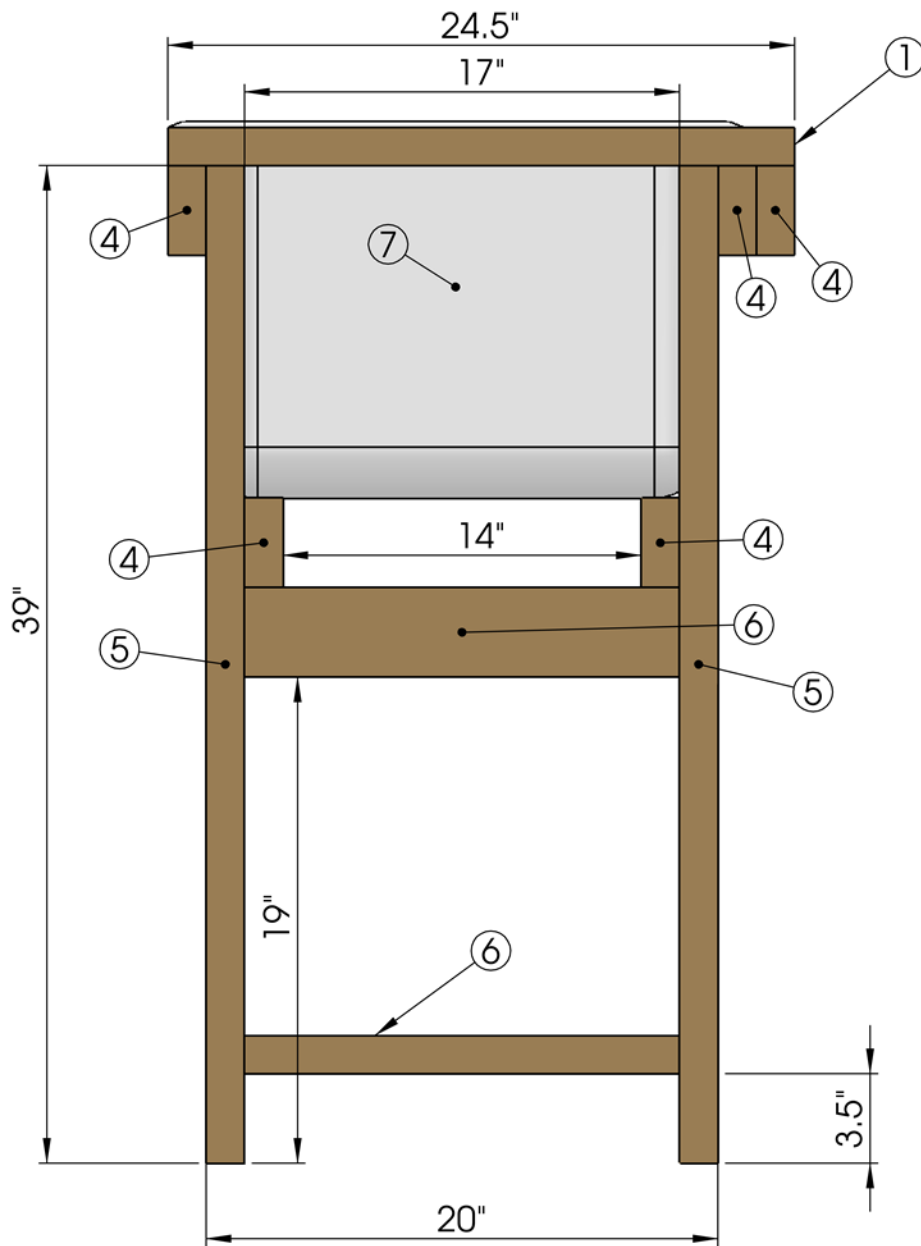
Design No.

Plastic Sink

COMMENTS:
DIMENSIONS ARE IN INCHES

DATE: March 2011

SCALE: 1:7.5 SHEET 2 OF 4



ITEM NO.	PART NUMBER	QTY.
1	2x6-24.5"	4
3	2x2-22"	1
4	2x4-44"	5
5	2x4-39"	4
6	2x4-20"	3
7	plastic sink	1

One Step at a Time Gardens

Design By:
Drew Landgraf, GenX7 Design
(drew.landgraf@gmail.com)

TITLE:

End View

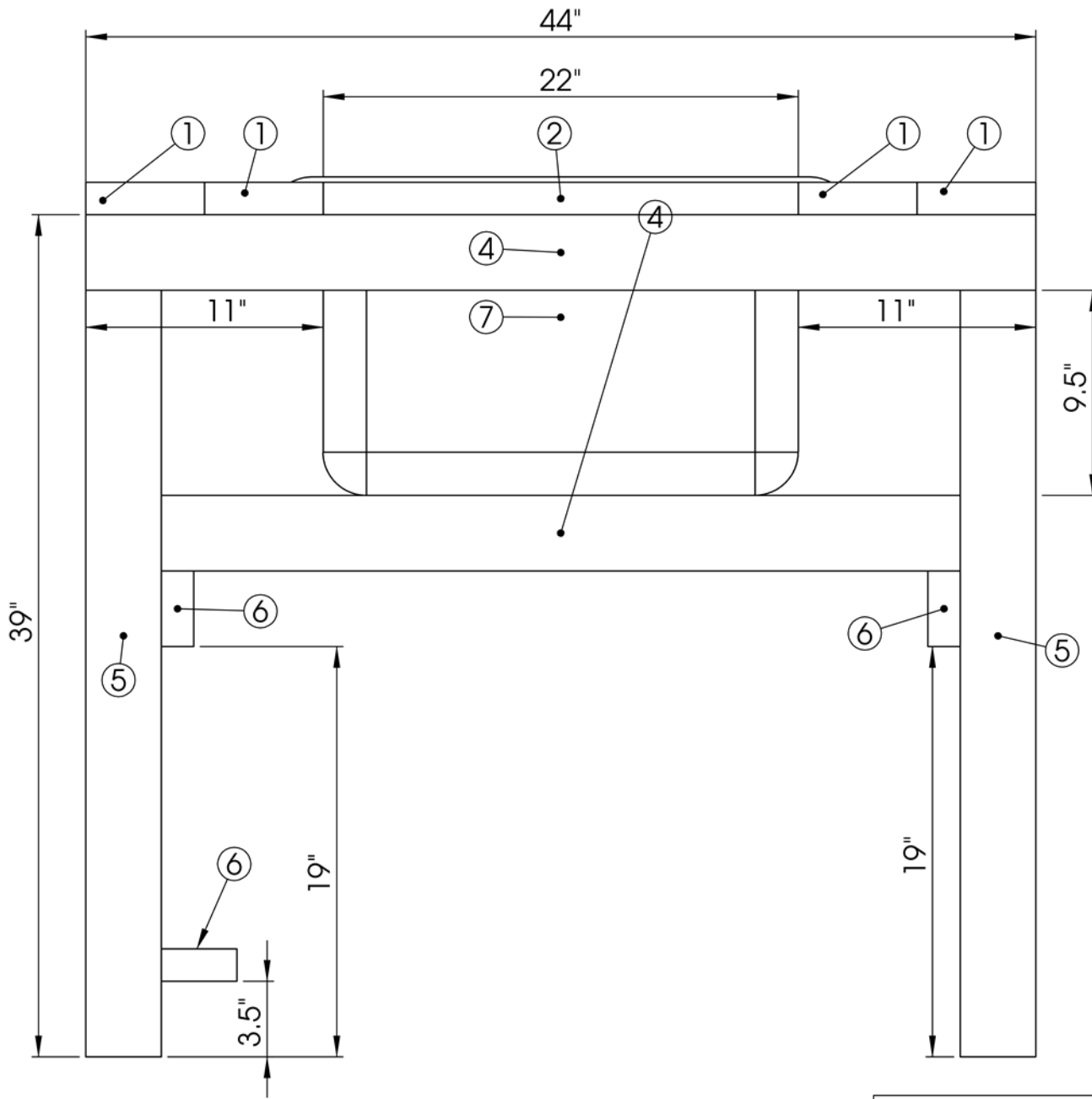
Design No.

Plastic Sink

COMMENTS:
DIMENSIONS ARE IN INCHES

DATE: March 2011

SCALE: 1:7.5 SHEET 3 OF 4



ITEM NO.	PART NUMBER	QTY.
1	2x6-24.5"	4
2	2x4-22"	1
3	2x2-22"	1
4	2x4-44"	5
5	2x4-39"	4
6	2x4-20"	3
7	plastic sink	1
8	PVC 1.5"D drain	1

One Step at a Time Gardens	
Design By: Drew Landgraf, GenX7 Design (drew.landgraf@gmail.com)	
TITLE: Side View	
Design No. Plastic Sink	

COMMENTS: DIMENSIONS ARE IN INCHES	
DATE:	March 2011
SCALE: 1:7.5	SHEET 4 OF 4