

Value Chain  
Partnerships



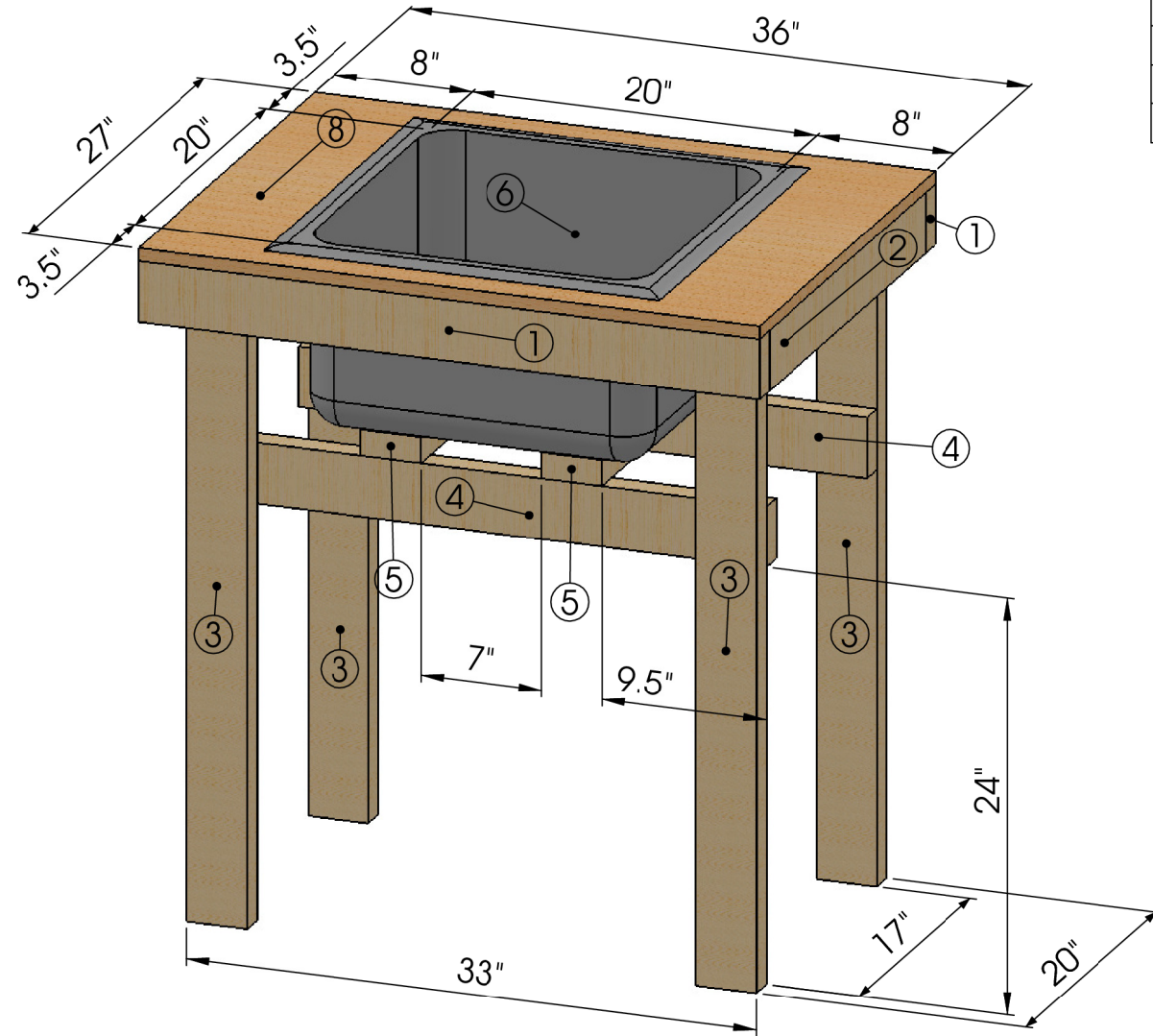
*An Iowa-Based Network for Food  
and Agriculture Working Groups*



LEOPOLD CENTER

Two Vegetable Wash Station Designs, June 2011, a project of the Fruit and Vegetable Working Group of the Value Chain Partnerships project and the Leopold Center for

ITEM NO.	PART NUMBER	QTY.
1	2x4-36"	2
2	2x4-24"	2
3	2x4-39"	4
4	2x4-33"	2
5	2x4-17"	2
6	steel sink	1
7	PVC 1.5"D drain	1
8	Sink Plywood	1



ITEM NO.	PART NUMBER	QTY.
1	2x4-36"	2
2	2x4-24"	2
3	2x4-39"	4
4	2x4-33"	2
5	2x4-17"	2
6	steel sink	1
8	Sink Plywood	1

One Step at a Time Gardens

**Design By:**  
Drew Landgraf, GenX7 Design  
(drew.landgraf@gmail.com)

TITLE:

Model

Design No.

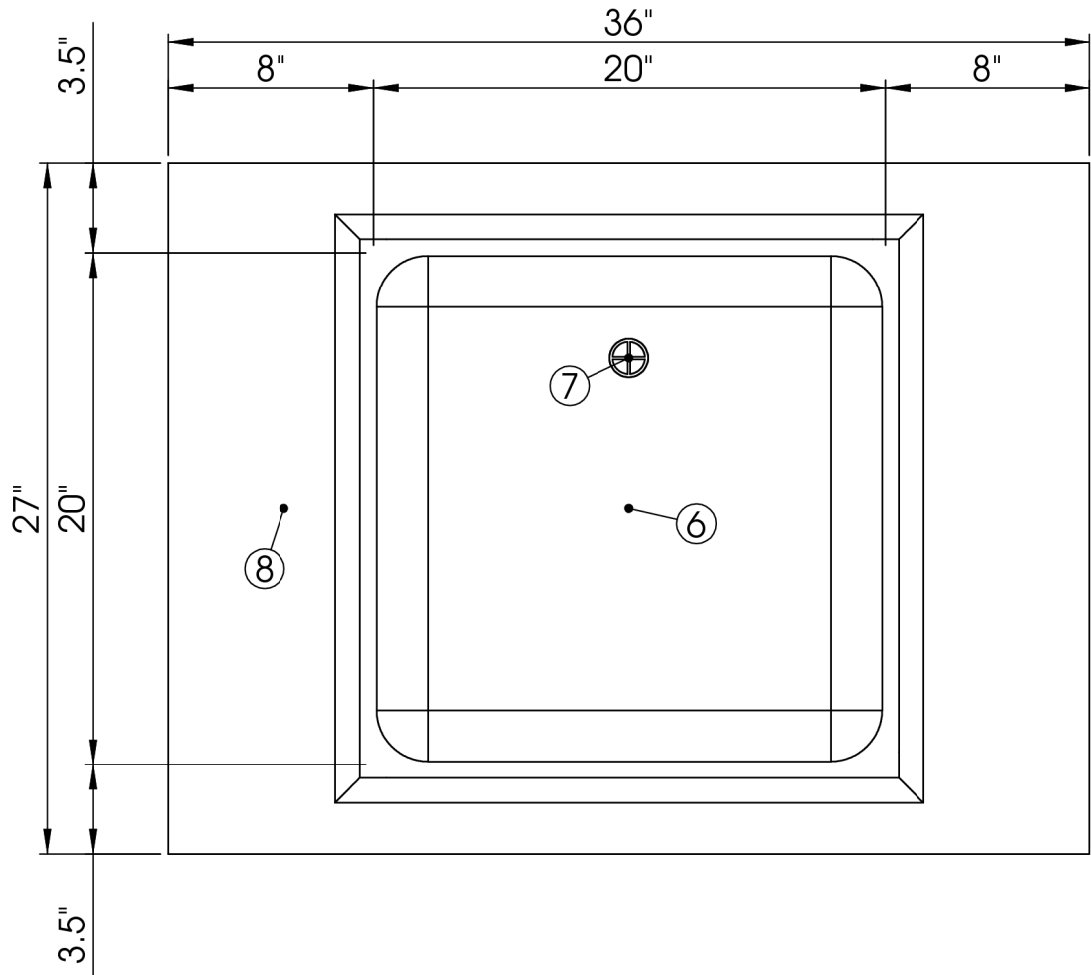
Steel Sink

**COMMENTS:**  
DIMENSIONS ARE IN INCHES

**DATE:** January 2011

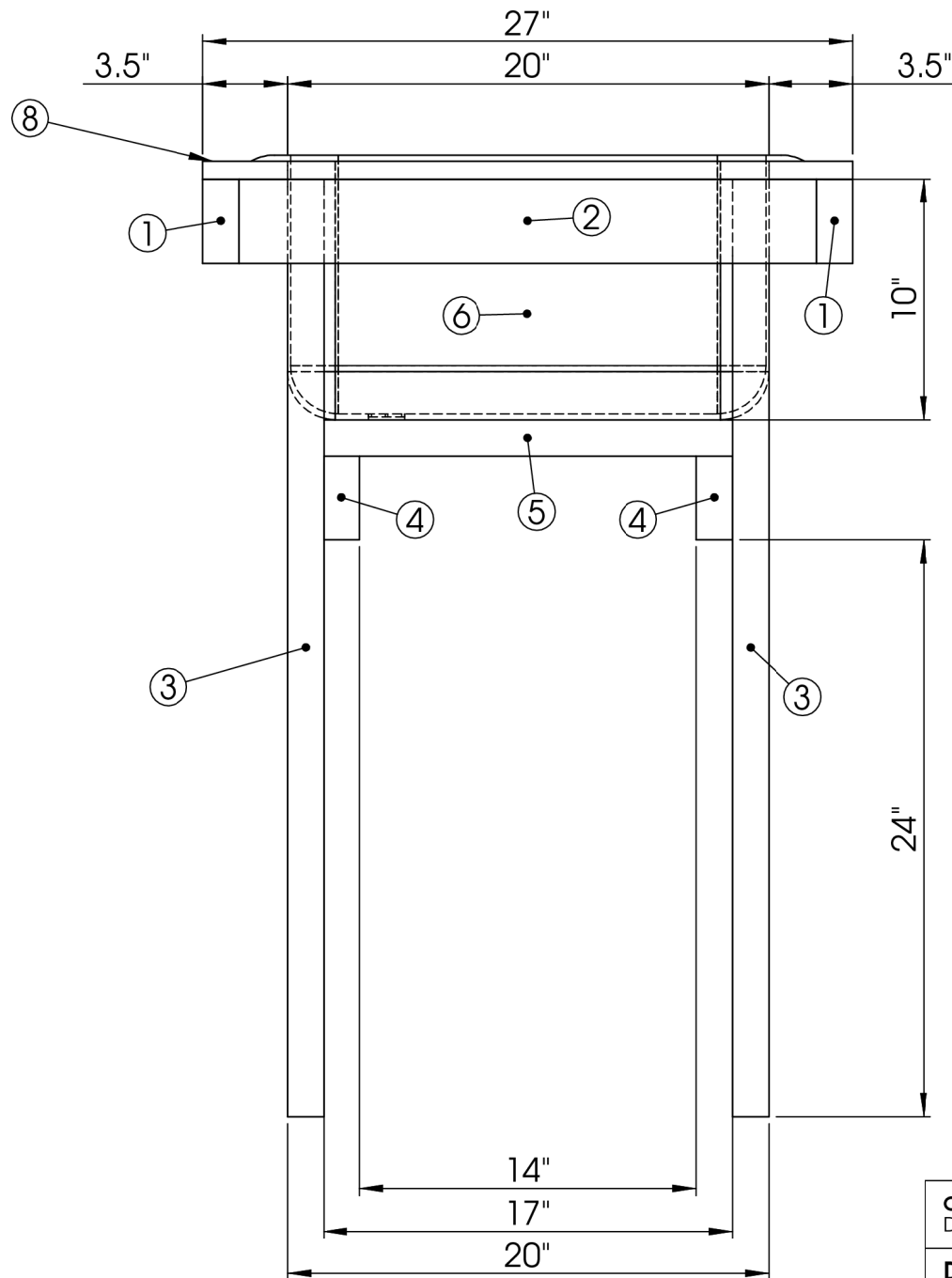
SCALE: 1:10 SHEET 1 OF 4

ITEM NO.	PART NUMBER	QTY.
6	steel sink	1
7	PVC 1.5"D drain	1
8	Sink Plywood	1



One Step at a Time Gardens	
<b>Design By:</b> Drew Landgraf, GenX7 Design (drew.landgraf@gmail.com)	
TITLE: <h1 style="text-align: center;">Top View</h1>	
Design No. <h1 style="text-align: center;">Steel Sink</h1>	

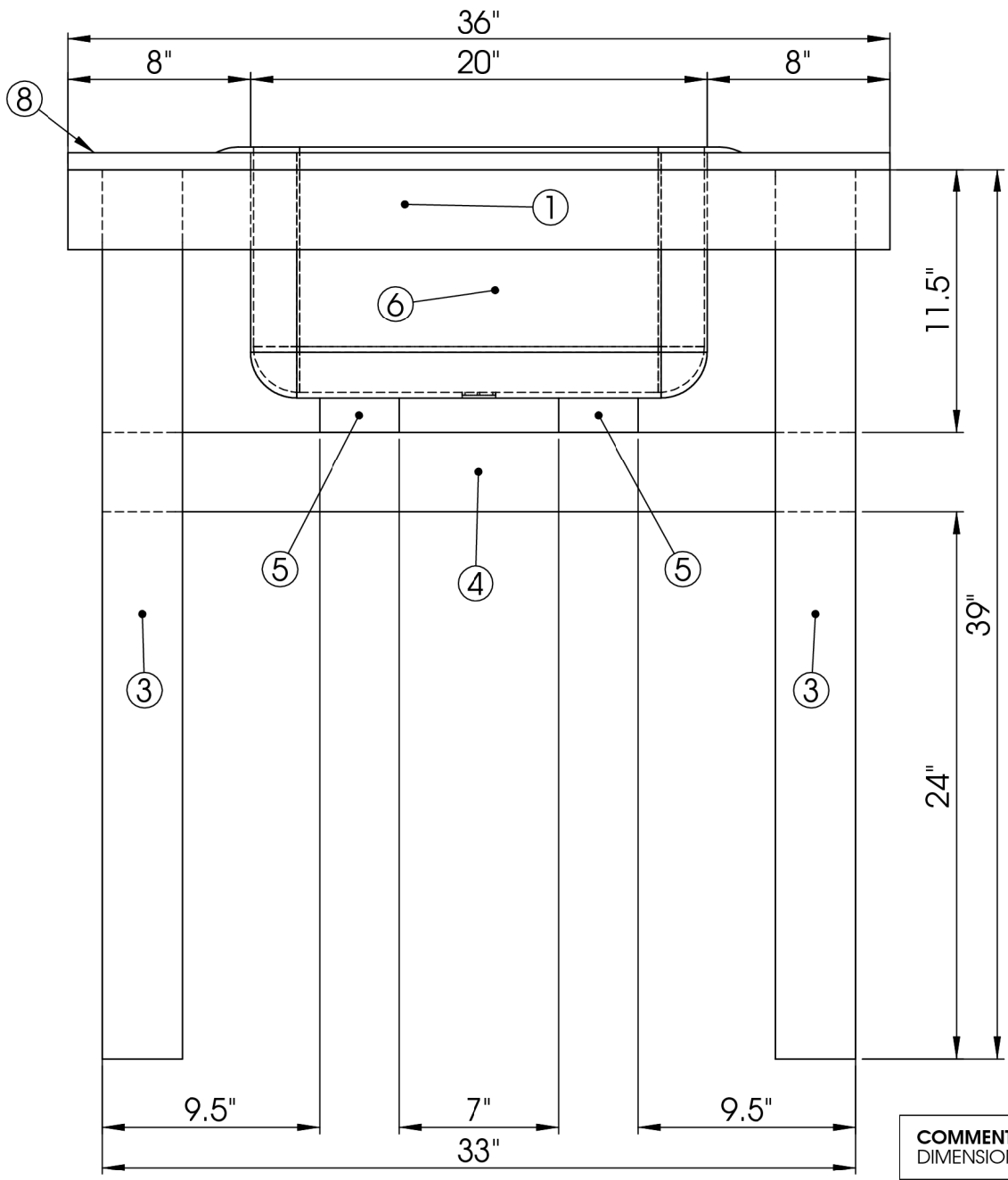
<b>COMMENTS:</b> DIMENSIONS ARE IN INCHES	
<b>DATE:</b>	January 2011
SCALE: 1:7.5	SHEET 2 OF 4



ITEM NO.	PART NUMBER	QTY.
1	2x4-36"	2
2	2x4-24"	2
3	2x4-39"	4
4	2x4-33"	2
5	2x4-17"	2
6	steel sink	1
8	Sink Plywood	1

One Step at a Time Gardens	
<b>Design By:</b> Drew Landgraf, GenX7 Design (drew.landgraf@gmail.com)	
TITLE: <h1 style="text-align: center;">End View</h1>	
Design No. <h1 style="text-align: center;">Steel Sink</h1>	

<b>COMMENTS:</b> DIMENSIONS ARE IN INCHES	
<b>DATE:</b>	January 2011
SCALE: 1:7.5	SHEET 3 OF 4



ITEM NO.	PART NUMBER	QTY.
1	2x4-36"	2
2	2x4-24"	2
3	2x4-39"	4
4	2x4-33"	2
5	2x4-17"	2
6	steel sink	1
8	Sink Plywood	1

One Step at a Time Gardens	
<b>Design By:</b> Drew Landgraf, GenX7 Design (drew.landgraf@gmail.com)	
TITLE: <h1 style="text-align: center;">Side View</h1>	
Design No. <h1 style="text-align: center;">Steel Sink</h1>	

<b>COMMENTS:</b> DIMENSIONS ARE IN INCHES	
<b>DATE:</b>	January 2011
SCALE: 1:7.5	SHEET 4 OF 4